

**TYING MACHINE**

**AT1000**

LET'S CREATE NEW BONDS

**INFACO<sup>®</sup>**



# INFACO

INFACO's solid experience is based on the invention by its founder, Daniel Delmas, of the **world's first electric pruning shears in 1984**. It was awarded the Palme d'Or for innovation at the SITEVI 1985 trade show as soon as it was released.

For 40 years now, the company has been constantly innovating to win the loyalty of its wine-growing, olive-growing, arboriculture and green space sector customers. INFACO has always been a forerunner in its field of expertise: **professional power tools**.

Currently, INFACO is an international business selling its tools in over **forty-five countries all over the world**. The company, which is managed by Davy Delmas, is based in Cahuzac sur Vère in the Tarn region of France, and remains firmly attached to its **authentic family values**.

**From day one, the company motto has been  
"one single goal, to satisfy you".**

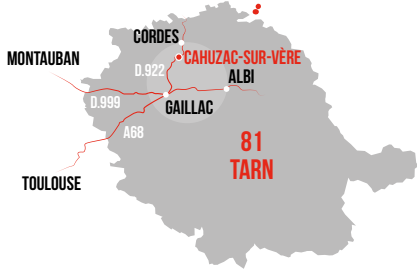
---

**FRENCH MANUFACTURER  
OF HAND-HELD POWER TOOLS  
FOR ALMOST 40 YEARS**





FRANCE



[www.infaco.com](http://www.infaco.com)

# AT1000: THE NEW TYING MACHINE FROM INFACO

## All-terrain versatility

INFACO presents the AT1000, **the fast, reliable automatic tying machine** for easy tying. Versatile, it can be used for several types of **vineyard** tie systems: single or double Guyot, Arcure, Chablis or trellis.

Its wide opening is suitable for all environments, particularly **fruit growing** (raspberry or kiwi, for example).

## New grip

INFACO worked for several years to design **a high-performance tying machine in the tradition of its pruning shears**. The grip is new and identical to that of the F3020. It is a true combo from pruning to tying, adapted to the expectations in the field, that is currently being proposed.

## 100% automatic

Unlike the previous model (A3M), **the AT1000 is 100% automatic**. Amongst its many strengths are exceptional effectiveness, easy commissioning, and ease of use.





**INFACO PATENT**

**ERGONOMIC GRIP**

**DISPLAY SCREEN**

**REMOVABLE BATTERY**



## ITS STRENGTHS

- + Ergonomic grip
- + Balanced tying
- + Wide opening
- + Quick and easy commissioning
- + Easy to use and maintain
- + Quick and easy reel replacement
- + High-capacity reel
- + Removable / interchangeable battery



INFACO®



## QUICK AND EASY COMMISSIONING

The tying machine is quick and easy to set up. After placing the reel in the dispenser, just feed the wire into the machine and pull the trigger to prime it. It's ready to use!



### Simplified reel changes

A single reel can contain at least 3,000 ties. Take an extra reel with you wherever you go in the belt pouch.

30 seconds is all it takes to place the new reel in the dispenser, then just re-prime the machine.





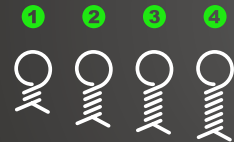
# SETTINGS TWISTS

Knot strength is defined by the number of twists. It must be adapted to the environment:

- weather conditions
- wood types
- pruning technique

With the AT1000, you can now choose your twists on a scale of 1 to 4. The settings are available directly on the machine's display screen.

Press the "settings" button to obtain the required level between 2 and 7 twists.



# THE REEL +

The AT1000's wire feed technology allows the use of a **static reel with simple dispensing from the inside**. Work comfortably all day **without the jolts caused by the unwinding wire**.



## The wire



INFACO proposes a paper-covered steel wire for the AT1000 tying machine: It is a **steel wire wrapped in fully degradable paper**.

Environmentally-friendly, the paper protects the tied branch, preventing the wood from shearing.

INFACO markets a range of reels produced in France in 4 wire sizes, see "Technical specifications". Each one is adapted to a specific type of tying technique or climate.



# INNOVATING TECHNOLOGY

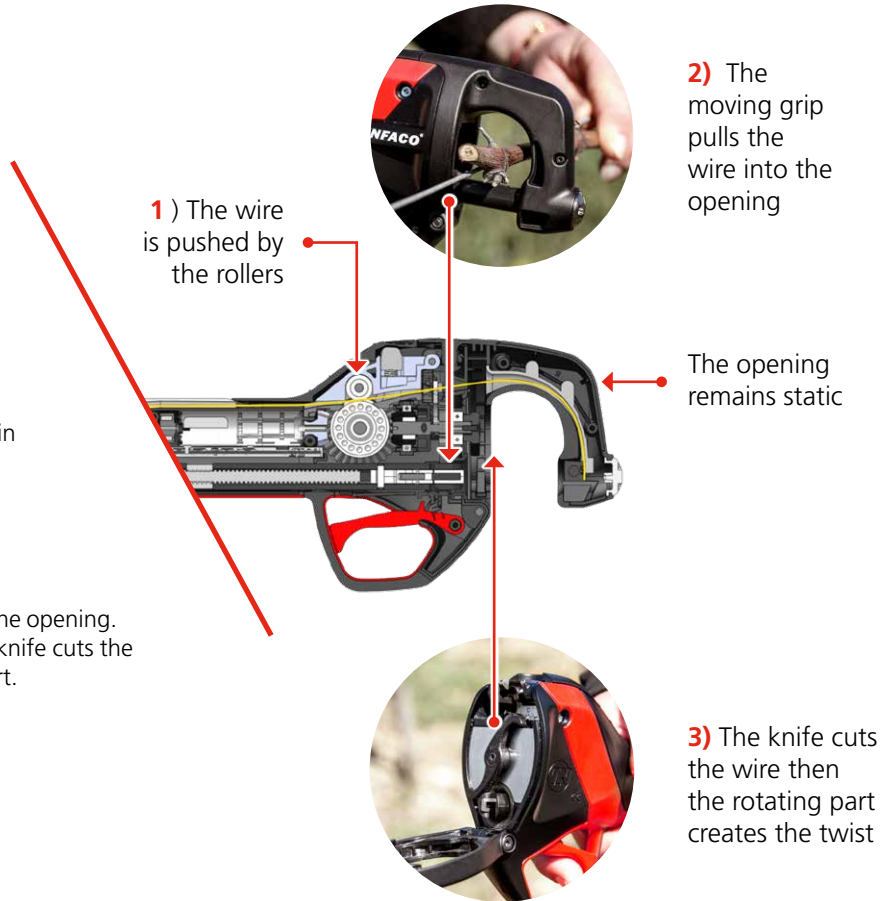
The AT1000 stands out in the tying machine market due to a number of innovations.

The wire is automatically fed by the machine using an **innovating synchronized drive roller system we have called "Dual Motion"**.

There is no need to accompany the wire as it unwinds from the reel. It is this technology, in particular, that helps limit unwanted jams.

## A unique knotting principle

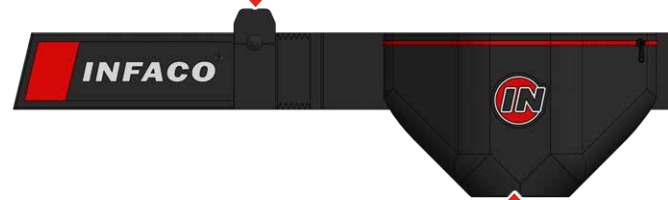
A moving grip takes the wire and pulls it towards the opening. A rotating part creates the twist while an internal knife cuts the wire and releases the tie. The mouth is a static part.



# HIGH-CAPACITY REEL



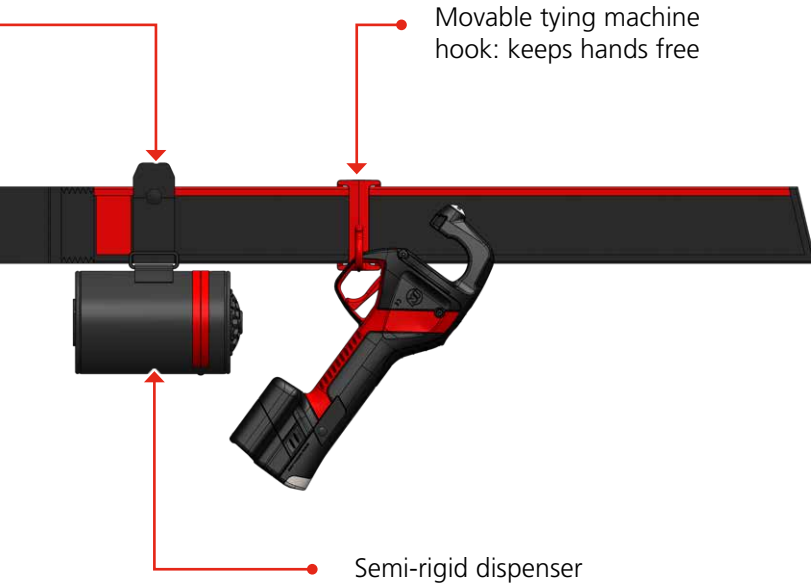
Tie for right-  
or left-handed  
wire dispenser  
configurations



Bag to hold a second reel,  
the pliers and oil can

One reel can tie at least 3,000 ties, thanks to its 400 meters of wire. And yet, the size is small!

Placed in its dispenser, on the carrying belt, it becomes almost imperceptible. The belt pouch is used to carry a second reel.





AT1000

INFACO

INFACO

## REMOVABLE AND **INTERCHANGEABLE BATTERY**

The AT1000 is marketed with a 10.8 V battery, with an autonomy of around 8000 ties.

**The battery clips onto and unclips from** the machine. It can be replaced by a second battery (optional) for intensive tying sessions in excess of 8,000 ties per day.

### **Battery charging**

The charger has a LED that indicates the battery charge level.

**Full charging time is just 3 hours.**





## THE TECHNICAL +

At the cutting edge of technology, and the result of years of research and development, the AT1000 is easy to use and routinely maintain.

### **Easy opening**

If an intervention is required, the top cover opens at the press of a finger for easy access to the wire.

### **"Single block" module**

The AT1000 is composed of a "single-block" module, avoiding the loss of spare parts during use and maintenance.

### **Simplified servicing work**

If a jam occurs, the machine's internal mechanism makes it possible to simply release the pinch roller, allowing the tying machine to be restarted.



# TECHNICAL SPECIFICATIONS

| AT1000 TYING MACHINE                   |  |                        |                        |                            |
|--|--|------------------------|------------------------|----------------------------|
| Max. power                             | Electric: 176W                                 |                        |                        |                            |
| Power supply                           | 10.8V  |                        |                        |                            |
| Max. tie diameter                      | Ø 28 mm / 1 7/64 inches                        |                        |                        |                            |
| Cycle speed                            | <0.5 s   |                        |                        |                            |
| Weight (excluding battery)             | ≈ 615 g / 21.69 oz                             |                        |                        |                            |
| Dimensions                             | 300 mm x 115 mm x 65 mm / 11.81" x 4.5" x 2.5" |                        |                        |                            |
| AT185BC BATTERY                        |  |                        |                        |                            |
| Rated voltage                          | 10.8V  |                        |                        |                            |
| Technology                             | Li-ION   |                        |                        |                            |
| Capacity                               | 3.35 Ah / 36 Wh                                |                        |                        |                            |
| 100% Charging time                     | 3 hours  |                        |                        |                            |
| Autonomy                               | Up to 8000 ties                                |                        |                        |                            |
| Weight                                 | 230 g / 7 oz.                                  |                        |                        |                            |
| Dimensions                             | 80 mm x 60 mm x 65 mm / 11.81" x 4.5" x 2.5"   |                        |                        |                            |
| WIRE REELS                             |  |                        |                        |                            |
| References (sold in boxes of 20 reels) | ATCB36   | ATCB40                 | ATCB44                 | ATCB236                    |
| Wire diameter                          | 0.36 mm / 0.014 inches                         | 0.40 mm / 0.015 inches | 0.44 mm / 0.017 inches | 2 x 0.36 mm / 0.014 inches |
| Number of ties                         | Over 3000 ties                                 |                        |                        |                            |
| Length                                 | 400 m / 1312 feet                              |                        |                        |                            |
| Tie strength                           | 8 to 12 months                                 |                        |                        |                            |

All machine specifications are given for informational purposes, they are never contractually binding and may be changed.





INFACO

AT1000

INFACO

F3020

# FROM PRUNING TO TYING: THE NEW BENCHMARK COMBO

INFACO pruning shears' reputation has been firmly established for almost 40 years: **power, speed, reliability and ergonomics.**

After 9 generations, the F3020 is the worthy successor to all the brand's electric pruning shears that contributed to its success.

Once again, INFACO has relied on innovation to develop the AT1000, thus proposing a **quality "from pruning to tying"** combination.

The new tying machine uses some of the F3020 features:

- similar ergonomic grip
- balanced weight
- performance and reliability
- INFACO patent and design

**Take our word for it, if you try  
them out, you'll keep them!**



## MADE IN FRANCE

The company is committed to working with local players, and guarantees consumers a quality product that is in line with recognized French know-how.

**100% of INFACO tying machines are made in Cahuzac sur Vère, in the Tarn region of France.**

Quality and reliability have been core INFACO values since its creation in 1984. From design, through production, to marketing, and then our after-sales department, the company wants to give users excellent products and services that fulfill our strong human values.



# INFACO SERVICES

## After sales and support

All INFACO employees want to guarantee users **excellent after sales service**. A team of specialized technicians looks after the machines returned to the factory all year round.

A "Customer Support" unit which is part of the sales department, can be contacted directly at INFACO. Also available all year round, it answers questions by phone.



## Annual servicing

During the off-season, INFACO proposes annual servicing which applies precise maintenance and upgrade procedures for shears and tying machines.

Thus, tens of thousands of servicing operations are managed every year. This service is highly appreciated by all users who can start the new season with peace of mind using tools that are ready to go after their annual servicing.

Get in touch with your dealer to find out more.

## Warranty

Subject to revision, the warranty can be extended for up to three seasons (valid for pruning shears and tying machines)



**The INFACO services have proved their effectiveness for almost 40 years.**

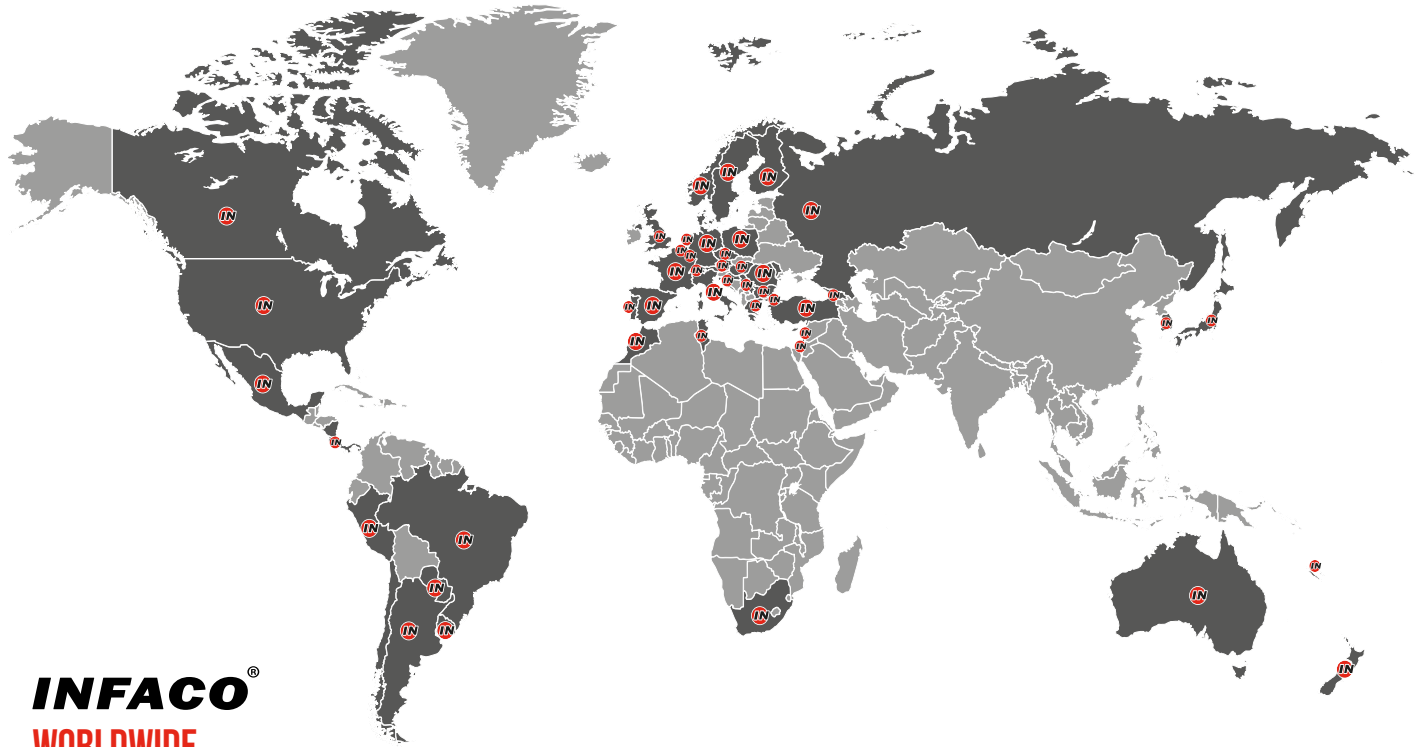


## OUR DEALER NETWORK

Thanks to an efficient network of distributors in France and abroad, the brand guarantees **an excellent level of after-sales service** to its users worldwide. The entire distribution network benefits from ongoing training by INFACO's team of technical sales representatives, to guarantee **effective local technical support**.

INFACO has always worked in close cooperation with its authorized distribution network.

We firmly believe that **our dealers play an important part in customer satisfaction**. Always available for advice on sales, product installation, use and technical support: **our dealers carry the brand's image and reputation**.



**INFACO**<sup>®</sup>  
WORLDWIDE

IN ALMOST 50 COUNTRIES



# **INFACO<sup>®</sup>**

[www.infaco.com](http://www.infaco.com)

**INFACO S.A.S.**

35 Bois de Roziès – BP2

81140 Cahuzac sur Vère – France

Phone: +33 (0)5 63 33 91 49

Email: [contact@infaco.fr](mailto:contact@infaco.fr)

**YOUR DEALER**

